



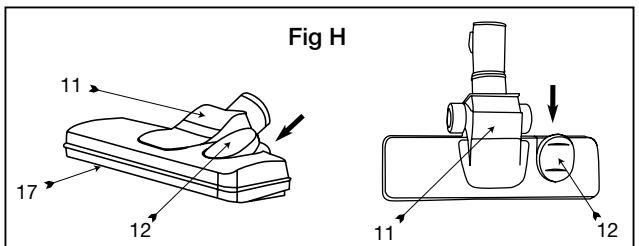
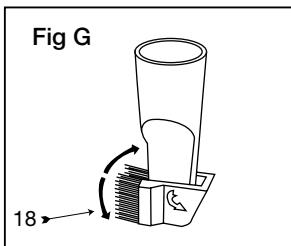
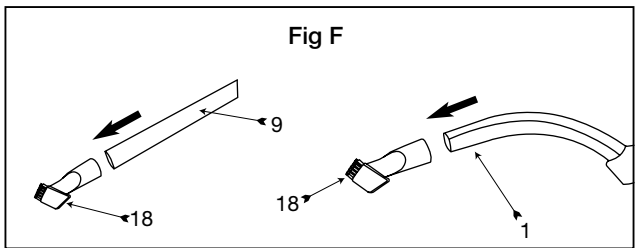
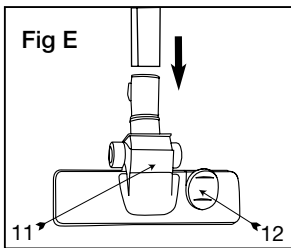
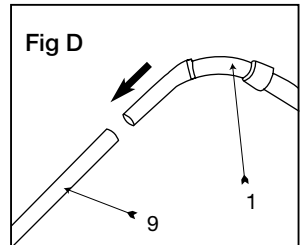
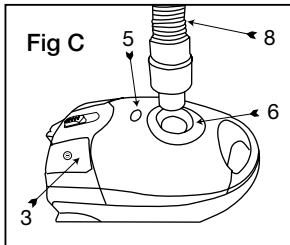
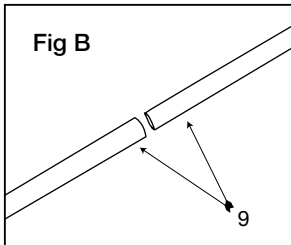
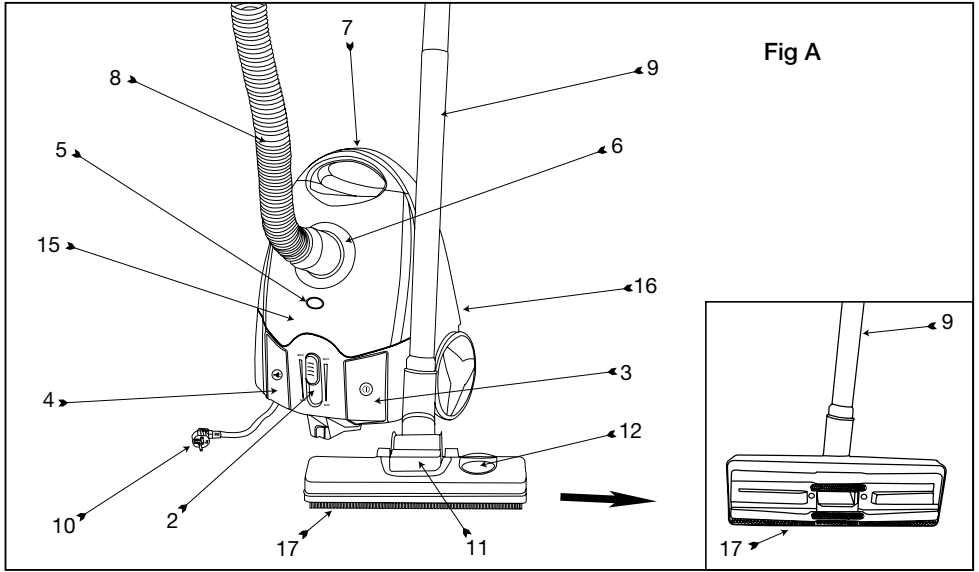
1400 watts - Bagged Vacuum Cleaner

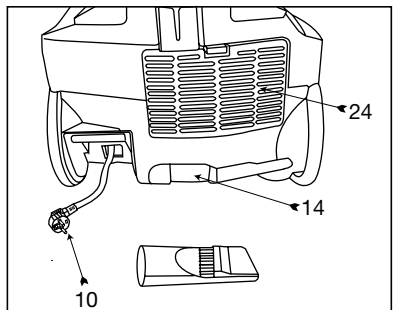
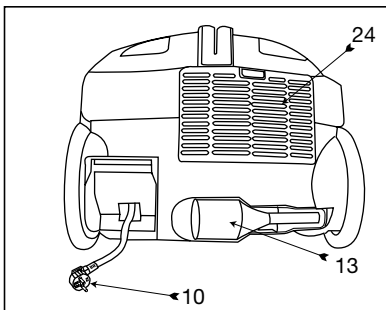
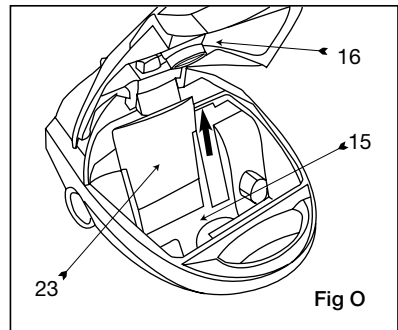
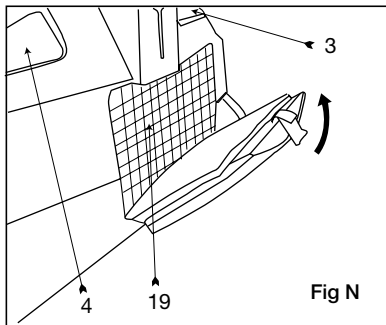
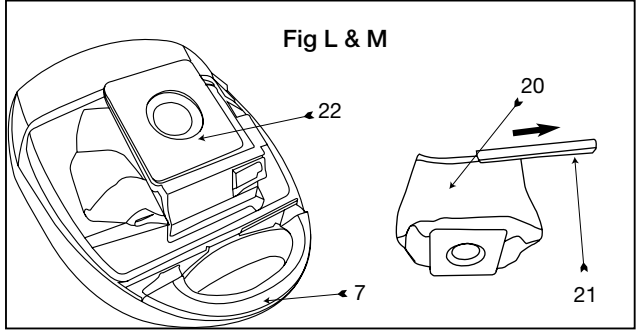
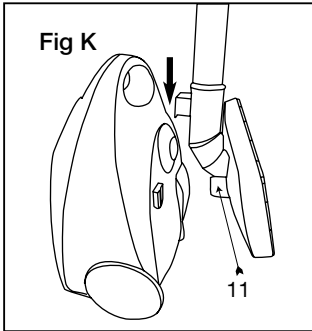
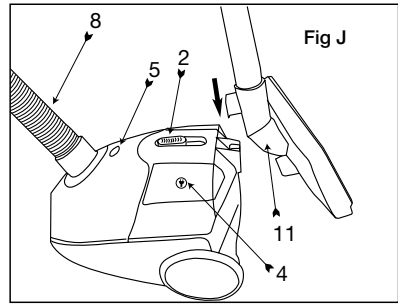
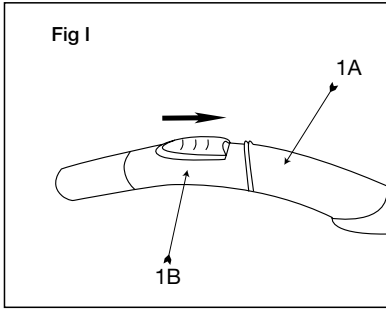


First Use Safety Recommendation

Please read through this booklet for safe and efficient use of the appliance. We urge you to read the "Hint's" section and also follow all detailed instructions even if you are familiar with using this appliance.

Keep this guide handy for future reference.





Parts Identification

1. Hose handle
2. Variable suction control
3. On / Off button
4. Cord rewind button
5. Bag full indicator
6. Hose connector
7. Carrying handle
8. Flexible hose
9. Plastic tube (2 piece)
10. Power cord
11. Floor head
12. Brush actuator
13. Tool storage
14. Tool storage latch
15. Dust bag compartment
16. Dust bag compartment latch
17. Floor brush
18. Brush / Crevice tool
19. Exhaust filter
20. Cloth bag
21. Cloth bag clip
22. Bag adapter
23. Pre motor filter
24. Exhaust grill

Product Features:

- 1400W
- Variable suction control
- Permanent cloth bag
- On board tool storage
- Automatic cord rewind
- Bag full indicator

Intended use

Your Black & Decker vacuum cleaner has been designed to vacuum dry substances. This product is intended for household use only.

Safety instructions

Warning! When using mains-powered appliances, basic safety precautions, including the following, should always be followed to reduce the risk of fire, electric shock, personal injury and material damage.



Read all of this manual carefully before using the appliance.

- The intended use is described in this manual. The use of any accessory or attachment or the performance of any operation with this appliance other than those recommended in this instruction manual may present a risk of personal injury.
- Retain this manual for future reference.

Using your appliance

- Make sure that the appliance is switched off before connecting to or disconnecting from the power supply.
- Always take care when using the appliance.
- Do not use the appliance outdoors.
- Never pull the power supply cord to disconnect the plug from the socket. Keep the power supply cord away from heat, oil and sharp edges.
- If the power supply cord is damaged during use, disconnect the appliance from the power supply immediately. Do not touch the power supply cord before disconnecting from the power supply.
- Disconnect the appliance from the power supply when not in use, before fitting or removing parts and before cleaning.

Safety of others

- Do not allow children or any person unfamiliar with these instructions to use the appliance.
- Do not allow children or animals to come near the work area or to touch the appliance or power supply cord. Close supervision is necessary when the appliance is used near children.
- Do not allow the cord set to hang over bench tops.
- This appliance is not intended for use by persons (including children) with reduced physical, sensory or mental capabilities, or lack of experience and knowledge, unless they have been given supervision or instruction concerning use of the appliance by a person responsible for their safety.
- Children should be supervised to ensure that they do not play with the appliance.

After use

- Switch off and remove the plug from the socket before leaving the appliance unattended and before changing, cleaning or inspecting any parts of the appliance.
- When not in use, the appliance should be stored in a dry place. Children should not have access to stored appliances.

Inspection and repairs

- Before use, check the appliance for damaged or defective parts. Check for breakage of parts, damage to switches and any other conditions that may affect its operation.
- Do not use the appliance if any part is damaged or defective.
- Have any damaged or defective parts repaired or replaced by an authorised repair agent.

- Before use, check the power supply cord for signs of damage, ageing and wear.
- Do not use the appliance if the power supply cord or mains plug is damaged or defective.
- If the power supply cord or mains plug is damaged or defective it must be repaired by an authorised repair agent in order to avoid a hazard. Do not cut the power supply cord and do not attempt to repair it yourself.
- Never attempt to remove or replace any parts other than those specified in this manual.

Electrical safety



This tool is double insulated; therefore no earth wire is required.

Always check that the power supply corresponds to the voltage on the rating plate.

- If the supply cord is damaged, it must be replaced by the manufacturer or an authorised Black & Decker Service Centre in order to avoid a hazard.

Additional safety instructions for vacuum cleaners

- Before use, always make sure that the filters are correctly seated. Do not use the appliance without all filters in place.
- Do not use the appliance to pick up liquids.
- Do not use the appliance to pick up any materials that could catch fire.
- Do not use the appliance near water. Do not immerse the appliance in water.
- Keep the motor draught away from your eyes and face.

- Keep children and animals at a safe distance when using this appliance.
- Always work from bottom up when using the appliance on stairs, and keep the appliance at least a stair below your working position.
- Always be aware of the position of the power cord and hose while using the appliance.
- Do not use the appliance without the suction head or another suitable accessory mounted to the tube.
- After use, fully rewind the power cord and store the appliance in a tidy manner.
- Keep your hair, clothing and gloves away from moving parts.
- Do not use damaged accessories.
- Use only Black & Decker accessories.

Features

This appliance includes some or all of the following features:

1. Hose handle
2. Variable suction control
3. On / Off button
4. Cord rewind button
5. Bag full indicator
6. Hose connector
7. Carrying handle
8. Flexible hose
9. Plastic tube (2 piece)
10. Power cord
11. Floor Head
12. Brush actuator
13. Tool storage
14. Tool storage latch
15. Dust bag compartment
16. Dust bag compartment latch
17. Floor brush
18. Brush / Crevice tool
19. Exhaust filter
20. Cloth bag
21. Cloth bag clip
22. Bag adapter
23. Pre motor filter
24. Exhaust grill

Assembly

Assembling the tubes (Fig. B)

- Push the two plastic tubes (9) together. Each tube as one flared end to ensure the other tube will fit inside it.
- To disassemble- pull the tube apart.

Connecting the hose (Fig.C)

- Insert the hose (8) into the hose connector (6) of the appliance.
- Push the hose until the release buttons click into place.
- To disconnect the hose, press the release buttons and pull out the hose.

Connecting the tube to the handle (Fig. D)

- Push the hose handle (1) into the flared end of the tube (9).
- To remove the tube, pull the handle out of the tube.

Mounting the floor head (Fig. E)

The floor head (11) allows for vacuuming on carpet and hard surfaces (e.g. laminate and tiles).

- Push the tube (9) into the head (11).
- To remove the head, pull the tube out of the head.

Mounting accessories (Fig. F)

The Brush / crevice tool (18) can be used as a crevice tool or an upholstery brush.

The crevice tool allows for vacuuming in narrow and hard-to-reach places. The brush tool allows for vacuuming on furniture, blinds, curtains, windows and stairs.

- Push the accessory onto the hose handle (1) or the tube (9).
- To remove an accessory, pull the accessory from the hose nozzle or the tube.

Selecting the crevice tool or brush tool (Fig. G)

- To use the crevice tool, move the brush part against the direction of the arrow.
- To use the brush tool, move the brush part in the direction of the arrow.

Use

Unwinding and rewinding the power cord

The cord rewind button (4) can be operated by hand or foot.

- Pull a sufficient length of cord from the back of the appliance.
- After use, press the cord rewind button (4) to retract the cord (10) into the unit. Manually guide the cord to ensure it does not swing back. Ensure the plug is correctly located.

Adjusting the suction head (Fig. H)

- For vacuuming on carpets, push the left hand actuator (12) into the down position – this engages the brush.
- For vacuuming on laminates, tiles, etc., push the right hand actuator (12) down - the brush will lift clear of the floor.

Switching on and off

The on/off switch (3) can be operated by hand or foot.

- To switch the appliance on, press the on/off switch (3).
- To switch the appliance off, press the on/off switch again.

Setting the suction force

The variable suction control (2) allows for a precise setting of the suction force. For vacuuming on a hard surface (e.g. floors), choose a high speed setting. For vacuuming on soft surfaces (e.g. upholstery), choose a low speed setting.

Slide the selector to the desired setting.

Adjusting the airflow (Fig. I)

Move the airflow control switch (1B) to adjust the airflow as desired.

Vacuuming

- When operating the appliance, make sure that the hose is not trapped, twisted or blocked.
- In case of overheating, a cut-out will operate and the appliance will automatically stop.
- If the appliance stops operating, unplug the appliance and allow it to cool for 2-3 hours before continuing. Ensure the filters are cleaned and the unit is blockage free before switching back on.

Hints for optimum use

When vacuuming stairs, always start at the bottom and work your way up. Position the appliance on the floor and do the stairs until halfway. Then carry the appliance to a stable position which is at least one stair below your working position, and do the top half of the stairs.

Carrying the appliance

During use the appliance can be carried using the carrying handle (7).

Temporarily parking the suction head (Fig. J)

- Use the park position on the rear of the unit for a temporary parking of the suction head.

Storing the appliance (Fig. K)

Warning! When storing the appliance, switch the appliance off and unplug it.

- Make sure that the cord is fully rewound.
- Place the appliance in an upright position.
- Park the tube in the park position on the bottom of the unit.
- Store the appliance in a dry location.

Maintenance

Your Black & Decker appliance has been designed to operate over a long period of time with a minimum of maintenance. Continuous satisfactory operation depends upon proper appliance care and regular cleaning.

Warning! Before performing any maintenance or cleaning on the appliance, unplug the appliance.

- Regularly clean the ventilation slots in your appliance using a soft brush or dry cloth.
- Regularly clean the motor housing using a damp cloth. Do not use any abrasive or solvent-based cleaner.

Emptying the dust Bag (Fig. L & M)

The cloth dust bag (20) must be emptied when full or the bin full indicator (5) changes from green to red.

- Remove the hose (8).
- Press the release button (16).
- Lift the Bag from the unit.
- Hold the bag over a waste bin.
- Slide the cloth bag clip from the base of the bag and empty the contents into the waste bin.
- Reconnect the plastic strip to the base of the bag ensuring it is sealed correctly.
- Re-insert the bag into the appliance until it locks into place.

- Ensure the bag adapter (22) slots into position correctly.

Warning! Before cleaning and maintenance, switch the appliance off and unplug it.

- From time to time wipe the appliance with a damp cloth. Do not use any abrasive or solvent-based cleaner. Do not immerse the appliance in water.

The appliance is fitted with 2 filters. These are accessible to the user and are replaceable.

Cleaning the exhaust filter (Fig. N)

The exhaust filter (19) is located in the rear of the unit behind the exhaust grill. This gives a further filtration level. The filter is re-usable and should be cleaned regularly.

- Remove the exhaust grill (24).
- Take the exhaust filter (19) out.
- Brush any loose dust off the filter.
- Re-insert the filter.
- Close the exhaust grill (24). Ensure this is clipped in correctly.

Replacing the pre-motor filter (Fig. O)

The pre-motor filter (23) is located within the dust bag area. This protects the motor from dust. To reach this filter remove the dust bag from the unit. The filter is located at the rear of this compartment. Slide the filter out of its location slots and brush any dust from it.

Attention: Do not use your vacuum cleaner without this filter in position.

Technical Data

VM1430		
Voltage	V	220-240
Power input	W	1400
Cable length	m	5
Dust capacity	L	1.5
Weight	kg	3.3



Protecting the environment

Separate collection. This product must not be disposed of with normal household waste.

Should you find one day that your Black & Decker product needs replacement, or if it is of no further use to you, do not dispose it off with other household waste. Make this product available for separate collection.



Separate collection of used products and packaging allows materials to be recycled and used again. Use of recycled materials helps prevent environmental pollution and reduces the demand for raw materials.

Local regulations may provide for separate collection of electrical products from the household, at municipal waste sites or by the retailer when you purchase a new product.

Black & Decker provides a facility for the collection and recycling of Black & Decker products once they have reached the end of their working life. To take advantage of this service please return your product to any authorised repair agent who will collect them on our behalf. You can check the location of your nearest authorised repair agent by contacting your local Black & Decker office at the address indicated in this manual. A list of authorised Black & Decker repair agents and full details of our after-sales service and contact are available on the Internet at: www.2helpU.com

BLACK & DECKER HOME APPLIANCE 2 YEAR WARRANTY

Black & Decker provides a 2 Year Warranty for this product from the date of purchase against defects due to defective materials or workmanship. Motor/element burn-outs due to voltage fluctuations are not covered under warranty. If the product should become defective within the warranty period, Black & Decker will repair or (at Black & Decker's discretion) replace it free of charge.

The warranty provisions do not cover failure due to accident, misuse, abuse, negligence or non observation of local regulations on the part of the user. Equally, the warranty provisions do not apply where the appliance has been serviced by a person not authorized by Black & Decker or serviced with non-approved parts and this has contributed to the fault of the product. Superseded models without a replacement equivalent will either be repaired or (at Black & Decker's discretion) replaced with another product of similar retail value.

UPON PURCHASE

Fill in the Warranty Registration Card with the original Authorized Dealer's stamp (indicating date of purchase) and attach your purchase receipt to it. Retain in case of claims in the future.

MAKING A CLAIM

Take your defective product together with the Warranty Registration Card & purchase receipt to your local service Centre. You can either do this in person or send it freight prepaid. If mailing or shipping your appliance, ensure that it is packed carefully in a sturdy carton with enough packing material to prevent damage. Include a note describing the problem to the service Centre and be sure to give your return address.

DESIGNED FOR DOMESTIC PURPOSES ONLY.

حماية البيئة

يجب عدم التخلص من هذا المنتج مع بقية النفايات المنزلية.



إذا وجدت في يوم من الأيام أنك بحاجة لشراء جهاز بلاك أند ديكر جديد، أو لم تعد بحاجة للجهاز القديم، لا تتخلص منه مع ال نفايات المنزلية الأخرى. جهز هذا المنتج للإستلام المنفصل.

الإستلام المنفصل للمنتجات المستعملة ومواد التغليف يسمح بإعادة تصنيع المواد واستعمالها من جديد. إستعمال ال مواد المعاد تصنيعها يساعد على منع التلوث البيئي ويقلل الطلب على المواد الأولية.



الأنظمة المحلية قد تنص على ضرورة الإستلام المنفصل للمنتجات الكهربائية من المنازل، في مواقع البلدية للنفايات أو بواسطة بائع التجزئة عندما تشتري منتجاً جديداً.

توفر بلاك أند ديكر التسهيلات لاستلام وإعادة تصنيع منتجات بلاك أند ديكر عندما تصل إلى نهاية حياتها العملية. للإستفادة من هذه الخدمة، يرجى إعادة جهازك إلى أي وكيل تصليح معتمد والذي سيقوم باستلامه بالنيابة عنا. يمكنك معرفة موقع أقرب وكيل تصليح معتمد بالنسبة لك بمراجعة مكتب بلاك أند ديكر المحلي على العنوان المبين في هذا الكتيب. تتوفر قائمة بأسماء وكلاء التصليح المعتمدين من بلاك و ديكر، كما تتوفر تفاصيل كاملة عن خدمات ما بعد البيع وعناوين الاتصال على شبكة الإنترنت

نت : www.2helpU.com

ضمان شامل لمدة سنتين لأجهزة BLACK & DECKER المنزلية

تمنح Black & Decker ضماناً شاملاً مدته سنتين لهذا المنتج اعتباراً من تاريخ الشراء. يغطي الضمان عيوب التصنيع أو المواد الداخلة في التصنيع. وفي حالة إصابة المنتج بأي عطل أثناء فترة الضمان، سنتقوم شركة بإصلاحه أو (وفقاً لتقدير Black & Decker) استبداله مجاناً.

لا يغطي الضمان الأعطال الناتجة عن الحوادث، سوء الاستعمال، الإهمال، الاستعمال الخاطئ، أو عدم اتباع النظم المعمول بها محلياً. كذلك، لا تطبق شروط الضمان إذا تمت صيانة أو تصليح المنتج لدى طرف غير معتمد من قبل شركة Black & Decker وفي حالة اس تخدام قطع غيار بدون الرجوع إلى الشركة أو الحصول على موافقتها، وتسببت هذه القطع في العطل. وإذا توقف إنتاج أي طراز مع عدم وجود البديل المناسب، فإن لشركة Black & Decker حق اختيار إصلاح المنتج أو استبداله بطراز آخر بنفس القيمة الشرائية.

عند الشراء

املاً بطاقة تسجيل الضمان مع التأكد من وجود الختم الأصلي للتاجر المعتمد (وتوضيح تاريخ الشراء) ثم ارفق إيصال الشراء بالبطاقة. الرجاء الاحتفاظ بهما لإبرازهما في حالة وجود مطالبات في المستقبل.

عملية المطالبة

خذ المنتج المعطل مع بطاقة الضمان وإيصال الشراء بنفسك إلى مركز الصيانة المحلي أو يمكنك إرساله بالبريد المدفوعة أجرته سلفاً. وفي حالة إرسال الجهاز بالبريد أو الشحن، تأكد من تفرغ المنتج من الماء كلياً وقم بتغليفه جيداً في صندوق كرتوني مع إضافة مواد تغليف لملاء الفراغات لتفادي إصابته بأي ضرر. ارفق ملاحظة تصف فيها المشكلة لمركز الصيانة وتأكد من كتابة عنوانك.

صمم للاستعمالات المنزلية فقط.

تخزين الجهاز (الشكل ك)

تحذير! عند تخزين الجهاز، قم بإيقاف تشغيل الجهاز وافصله عن مصدر الكهرباء.

- تأكد من إعادة لف السلك بالكامل.
- ضع الجهاز في وضع عمودي.
- خزن الأنبوب في موضع التخزين في أسفل الوحدة.
- خزن الجهاز في مكان جاف.

الصيانة

تم تصميم جهاز بلاك أند ديكر للتشغيل لفترة طويلة من الوقت بأدنى درجة من الصيانة. يتوقف التشغيل المستمر المرضي على العناية المناسبة بالجهاز والتنظيف المنتظم.

تحذير! قبل تنظيف الجهاز أو صيانته، قم بإيقاف تشغيل الجهاز.

- قم بانتظام بتنظيف فتحات التهوية في الجهاز باستخدام فرشاة ناعمة أو قطعة قماش جافة.
- قم بانتظام بتنظيف وحدة إيواء المحرك باستخدام قطعة قماش مبللة. لا تستخدم أية منظفات بها مواد كاشطة أو مذيبة.

تفريغ كيس الأتربة (الشكلان ل & م)

يلزم تفريغ كيس الأتربة المصنوع من القماش (٢٠) عند امتلائه أو عند تغير لون مؤشر امتلاء الكيس (٥) من اللون الأخضر إلى الأحمر.

- قم بإزالة الخرطوم (٨).
- اضغط على زر التحرير (١٦).
- ارفع الكيس من الوحدة.
- ضع الكيس فوق صندوق القمامة.
- أخرج مشبك الكيس المصنوع من القماش من قاعدة الكيس وفرغ المحتويات في صندوق القمامة.
- أعد تركيب المشبك البلاستيكي في قاعدة الكيس وتأكد من إغلاقه على نحو صحيح.
- أعد إدخال الكيس في الجهاز حتى يستقر في موضعه.
- تأكد من استقرار المهائئ (٢٢) في موضعه الصحيح.

تحذير! قبل التنظيف أو الصيانة، قم بإيقاف تشغيل الجهاز وافصله عن مصدر الكهرباء.

- قم من حين لآخر بمسح الجهاز بقطعة قماش مبللة. لا تستخدم أية منظفات بها مواد كاشطة أو مذيبة. لا تغمس الجهاز في الماء.

الجهاز مزود بفلترين، يمكن للمستخدم الوصول إليهما ويمكن استبدالهما.

تنظيف فلتر العادم (الشكل ن)

يوجد فلتر العادم (١٩) في الجزء الخلفي من الوحدة خلف شبكة منفذ العادم، ويمكن ذلك مستوى ترشيح إضافي. الفلتر قابل لإعادة الاستخدام وينبغي تنظيفه بانتظام.

- قم بإزالة شبكة منفذ العادم (٢٤).
- استخراج فلتر العادم (١٩)
- استخدم فرشاة لتنظيف الفلتر من أية أتربة عالقة به.
- أعد إدخال الفلتر.
- أغلق شبكة منفذ العادم (٢٤)، وتأكد من إغلاق والتثبيت بشكل صحيح.

استبدال فلتر ما قبل المحرك (الشكل يا)

يوجد فلتر ما قبل المحرك (٢٣) داخل منطقة كيس الأتربة. ويعمل هذا الفلتر على حماية المحرك من الأتربة. للوصول إلى هذا الفلتر، قم بإزالة كيس الأتربة من الوحدة، يقع الفلتر في الجزء الخلفي من هذه الوحدة. اسحب الفلتر إلى الخارج من الفتحات الموجودة في موضعه واستخدم فرشاة لإزالة أية أتربة عالقة به.

تنبيه: لا تستخدم المكثفة الكهربائية دون وجود هذا الفلتر في موضعه.

البيانات الفنية

VM1430	
الجهود	٢٢٠-٢٤٠ فولت
دخل الطاقة	١٤٠٠ وات
طول السلك	٥ متر
سعة الأتربة	١,٥ لتر
الوزن	٣,٣ كجم

تركيب الملحقات (الشكل و)

يمكن استخدام الفرشاة/أداة تنظيف الأماكن الضيقة (١٨) كأداة لتنظيف الأماكن الضيقة أو كفرشاة لتنظيف التجديد.

تتيح أداة تنظيف الأماكن الضيقة تنظيف الأماكن الضيقة التي يصعب الوصول إليها. وتتيح الفرشاة تنظيف الأثاث والستائر والنوافذ والسلم.

• ادفع الوحدة الملحقة إلى داخل مقبض الخرطوم (١) أو الأنبوب (٩).

• لإزالة الوحدة الملحقة، اسحب الوحدة الملحقة من فوهة الخرطوم أو الأنبوب.

اختيار أداة تنظيف الأماكن الضيقة أو الفرشاة (الشكل ز)

• لاستخدام أداة تنظيف الأماكن الضيقة، حرك جزء الفرشاة في عكس اتجاه السهم.

• لاستخدام الفرشاة، حرك جزء الفرشاة في اتجاه السهم.

الاستخدام

فرد وإعادة لف سلك الكهرباء

يمكن تشغيل زر إعادة لف السلك (٤) باستخدام اليد أو القدم.

• اسحب طول مناسب من السلك من الجزء الخلفي في الجهاز.

• بعد الاستخدام، اضغط على زر إعادة لف السلك (٤) لسحب السلك (١٠) إلى داخل الوحدة. افحص السلك يدويًا للتأكد من عدم تدليه على الجزء الخلفي. تأكد من وجود القابس في موضعه الصحيح.

ضبط وحدة الشفط (الشكل ح)

• لتنظيف السجاد، ادفع وحدة التشغيل الآلي الموجودة بالجانب الأيسر (١٢) إلى أسفل - يعمل ذلك على تثبيت الفرشاة.

• لتنظيف الأرضيات المكسوة بالصفائح الرقيقة والقرميد وما إلى ذلك، ادفع وحدة التشغيل الآلي الموجودة بالجانب الأيمن (١٢) إلى أسفل - سوف يتم رفع الفرشاة عن الأرض.

التشغيل وإيقاف التشغيل

يمكن تشغيل مفتاح التشغيل/إيقاف التشغيل "On/Off" (٢)

باستخدام اليد أو القدم.

• لتشغيل الجهاز، اضغط على مفتاح التشغيل/إيقاف التشغيل (٣).

• لإيقاف تشغيل الجهاز، اضغط على مفتاح التشغيل/إيقاف التشغيل (٣) مرة أخرى.

ضبط قوة الشفط

تتيح وحدة التحكم في قوة الشفط (٢) الضبط الدقيق لقوة الشفط. لتنظيف سطح صلب (مثل الأرضيات)، اختر إعداد سرعة عالي. ولتنظيف الأسطح الناعمة (مثل التجديد)، اختر إعداد سرعة منخفض.

حرك وحدة الاختيار إلى الإعداد المطلوب.

ضبط تدفق الهواء (الشكل ط)

حرك مفتاح التحكم في تدفق الهواء (أ) لضبط تدفق الهواء المطلوب.

الكنس

• عند تشغيل الجهاز، تأكد من عدم التواء الخرطوم أو انثنائه أو انسداده.

• في حالة ارتفاع درجة الحرارة على نحو مفرط، سوف تعمل وظيفة القطع الآلي للتيار وسوف يتوقف الجهاز تلقائيًا.

• في حالة توقف الجهاز عن التشغيل، أفضل الجهاز عن مصدر التيار واتركه حتى يبرد لمدة ٢-٣ ساعات قبل استخدامه مرة أخرى. تأكد من تنظيف الفلاتر وادخل الوحدة من الانسداد قبل التشغيل مرة أخرى.

إرشادات الاستخدام الأمثل

• عند كنس السالمان، ينبغي دائمًا بدء العمل من أسفل إلى أعلى. ضع الجهاز على الأرض ونظف السالمان حتى منتصفها، ثم حمل الجهاز إلى موضع مناسب على بعد درجة واحدة على الأقل من موضع العمل، ونظف الجزء العلوي من السالمان.

حمل الجهاز

يمكن حمل الجهاز أثناء استخدامه بواسطة مقبض الحمل (٧).

التخزين المؤقت لوحدة الشفط (الشكل ي)

• استخدم موضع التخزين في الجزء الخلفي من الوحدة للتخزين المؤقت لوحدة الشفط.

١٥ وحدة كيس الأتربة

١٦ مزلاج وحدة كيس الأتربة

١٧ فرشاة الأرضيات

١٨ فرشاة/ أداة تنظيف الأماكن الضيقة

١٩ فلتر العادم

٢٠ كيس من القماش

٢١ مشبك الكيس المصنوع من القماش

٢٢ مهائئ الكيس

٢٣ فلتر ما قبل المحرك

٢٤ شبكة منفذ العادم

التركيب

تركيب الأنايبب (الشكل ب)

- ادفع أنبوب البلاستيك (٩) لتوصيلهما ببعض. كل أنبوب مزود بنهاية متسعة تدريجياً لضمان دخول الأنبوب الآخر داخله.

- لفك الأنبوبين، اسحب الأنبوب للخارج.

توصيل الخرطوم (الشكل ج)

- أدخل الخرطوم (٨) في موصل الخرطوم (٦) بالجهاز.
- ادفع الخرطوم حتى إصدار أزرار التحرير صوتاً يدل على استقرارها في موضعها.
- لفصل الخرطوم، اضغط على أزرار التحرير واسحب الخرطوم إلى الخارج.

توصيل الخرطوم بالمقبض (الشكل د)

- ادفع مقبض الخرطوم (١) داخل نهاية الأنبوب المتسعة تدريجياً (٩).
- لإزالة الأنبوب، اسحب المقبض خارج الأنبوب.

تركيب وحدة تنظيف الأرضيات (الشكل هـ)

- تتيح وحدة تنظيف الأرضيات (١١) تنظيف السجاد والأسطح الصلبة (مثل الأرضيات المكسوة بالصفائح الرقيقة والقرميد).
- ادفع الأنبوب (٩) داخل وحدة تنظيف الأرضيات (١١).
- لإزالة وحدة تنظيف الأرضيات، اسحب الأنبوب خارج وحدة تنظيف الأرضيات.

- ينبغي إبقاء الأطفال والحيوانات في مكان آمن بعيداً عن الجهاز أثناء استخدامه.

- ينبغي دائماً بدء العمل من أسفل إلى أعلى عند استخدام الجهاز لتنظيف السلالم وترك الجهاز على بعد درجة واحدة على الأقل من موضع العمل.

- ينبغي دائماً إدراك موضع سلك الكهرباء والخرطوم أثناء استخدام الجهاز.

- ينبغي عدم استخدام الجهاز دون وحدة الشفط أو أية وحدة ملحقة أخرى مناسبة يتم تركيبها في الأنبوب.

- بعد الاستخدام، ينبغي إعادة لف السلك بالكامل وتخزين الجهاز بطريقة ملائمة.

- ينبغي الاحتفاظ بالشعر والملابس والقفاذات بعيداً عن الأجزاء المتحركة.

- ينبغي عدم استخدام الملحقات التالفة.

- ينبغي استخدام ملحقات بلاك أند ديكر فقط.

المزايا

يشتمل هذا الجهاز على كافة المزايا التالية أو بعضها:

١ مقبض الخرطوم

٢ وحدة التحكم في قوة الشفط

٣ زر التشغيل/إيقاف التشغيل "On/Off"

٤ زر إعادة لف السلك

٥ مؤشر امتلاء الكيس

٦ موصل الخرطوم

٧ مقبض الحمل

٨ خرطوم مرن

٩ أنبوب بلاستيك (قطعتان)

١٠ سلك الكهرباء

١١ وحدة تنظيف الأرضيات

١٢ وحدة التشغيل الآلي للفرشاة

١٣ مخزن الأدوات

١٤ مزلاج مخزن الأدوات

سلامة الآخرين

- قبل الاستخدام، يلزم فحص سلك التيار الكهربائي للتأكد من خلوه من علامات التلف أو التقدم البانغ أو التآكل.
- يجب عدم استخدام الجهاز في حالة تلف سلك التيار الكهربائي أو القابس أو وجود عيب بأي منهما.
- في حالة تلف سلك التيار الكهربائي، يجب استبداله من قبل الشركة المصنعة أو مركز صيانة بلاك أند ديكر معتمد لتجنب المخاطر. لا تقطع سلك التيار الكهربائي ولا تحاول إصلاحه بنفسك.
- لا تحاول مطلقاً إزالة أو استبدال أية أجزاء غير تلك الموضحة في هذا الدليل.

السلامة الكهربائية

هذه الأداة مزدوجة العزل، ومن ثم ليست هناك حاجة إلى استخدام سلك تأريض. تأكد دائماً من توافق مصدر التيار الكهربائي مع الجهد الموضح على لوحة التقنين.



- في حالة تلف سلك التيار الكهربائي، يجب استبداله من قبل الشركة المصنعة أو مركز صيانة بلاك أند ديكر معتمد لتجنب المخاطر.

إرشادات سلامة إضافية خاصة بالمكنسة الكهربائية

- قبل الاستخدام، ينبغي التأكد دائماً من تركيب الفلاتر بشكل صحيح، وينبغي عدم استخدام الجهاز دون وجود كافة الفلاتر في مواضعها.

- ينبغي عدم استخدام الجهاز لشفط السوائل.

- ينبغي عدم استخدام الجهاز لشفط أية مواد يمكن أن تسبب في نشوب حريق.

- ينبغي عدم استخدام الجهاز بالقرب من الماء، وينبغي عدم غمس الجهاز في الماء.

- ينبغي إبعاد العينين والوجه عن تيار الهواء الصادر عن المحرك.

- لا تسمح للأطفال، أو أي شخص غير مطلع على هذه الإرشادات، باستخدام هذا الجهاز.

- لا تسمح للأطفال أو الحيوانات بالاقتراب من منطقة العمل أو لمس الجهاز أو سلك التيار الكهربائي. يلزم توخي الحذر والمتابعة الدقيقة عند استخدام الجهاز بالقرب من الأطفال.

- ينبغي فرد سلك التيار الكهربائي بدقة بحيث لا يتعلق فوق المقاعد والأشياء الأخرى.

- هذا الجهاز غير مصمم ليستخدمه الأشخاص ذوو القدرات الجسدية والذهنية والحسية والعقلية المتدنية والخبرة والمعرفة القليلتين (بما في ذلك الأطفال) إلا في ظل الإشراف عليهم أو إعطائهم التعليمات المتعلقة باستخدام الجهاز من قبل الشخص المسؤول عن سلامتهم.

- يلزم الإشراف على الأطفال لضمان عدم عبثهم بالجهاز.

بعد الاستخدام

- قم بإيقاف تشغيل الجهاز وانزع القابس من مأخذ الكهرباء عند عدم استخدام الجهاز أو قبل تغيير أي من أجزائه أو تنظيفها أو صيانتها.

- في حالة عدم استخدام الجهاز، يجب تخزينه في مكان جاف. ويجب عدم تمكين الأطفال من الوصول إلى الأجهزة المخزنة.

الفحص والإصلاح

- قبل الاستخدام، افحص الجهاز للتعرف على الأجزاء التالفة أو المعيبة. افحص الجهاز للتأكد من خلوه من الأجزاء المكسورة وتلف المفاتيح وأية أوضاع أخرى قد تؤثر على كفاءة تشغيله.

- لا تستخدم الجهاز في حالة تلف أي جزء أو وجود عيب به.

- لا تحاول إصلاح الجهاز بنفسك، وبدلاً من ذلك ينبغي الاستعانة بوكيل الصيانة المعتمد لإصلاح أية أجزاء تالفة أو معيبة أو استبدالها.

تعريف الأجزاء

- ١ مقبض الخرطوم
 - ٢ وحدة التحكم في قوة الشفط
 - ٣ زر التشغيل/إيقاف التشغيل "On/Off"
 - ٤ زر إعادة لف السلك
 - ٥ مؤشر امتلاء الكيس
 - ٦ موصل الخرطوم
 - ٧ مقبض الحمل
 - ٨ خرطوم مرن
 - ٩ أنبوب بلاستيك (قطعتان)
 - ١٠ سلك الكهرباء
 - ١١ وحدة تنظيف الأرضيات
 - ١٢ وحدة التشغيل الآلي للفرشاة
 - ١٣ خزن الأدوات
 - ١٤ مزلاج مخزن الأدوات
 - ١٥ وحدة كيس الأتربة
 - ١٦ مزلاج وحدة كيس الأتربة
 - ١٧ فرشاة الأرضيات
 - ١٨ فرشاة/أداة تنظيف الأماكن الضيقة
 - ١٩ فلتر العادم
 - ٢٠ كيس من القماش
 - ٢١ مشبك الكيس المصنوع من القماش
 - ٢٢ مهائئ الكيس
 - ٢٣ فلتر ما قبل المحرك
 - ٢٤ شبكة منفذ العادم
- مزايا المنتج:

- ١٤٠٠ وات
- وحدة تحكم في قوة الشفط

- كيس من القماش دائم
- مخزن للأدوات مرفق بالمنتج
- إعادة لف السلك آلياً
- مؤشر امتلاء الكيس

غرض الاستخدام

المكنسة الكهربائية بلاك آند ديكور مصممة لكس المواد الجافة. هذا المنتج مصمم للاستخدام المنزلي فقط.

تعليمات السلامة

تحذير! عند استخدام الأجهزة الكهربائية، يتعين دائماً مراعاة احتياطات السلامة الأساسية؛ للحد من احتمالات نشوب حريق أو تعرض الأشخاص لصدمة كهربائية أو إصابة شخصية أو تلف مادي، بما في ذلك ما يلي:

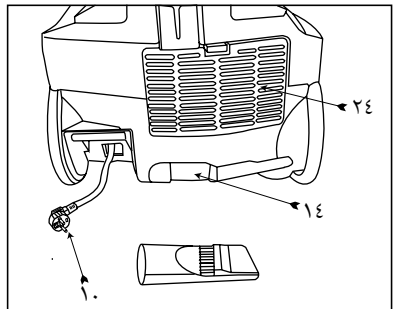
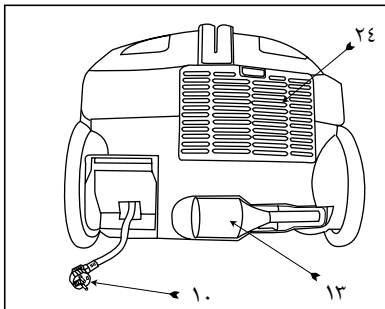
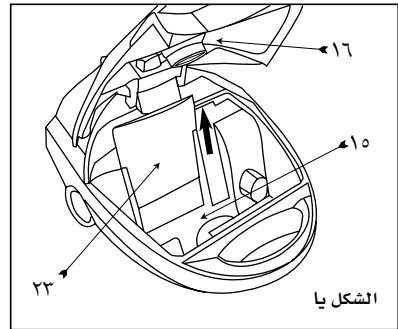
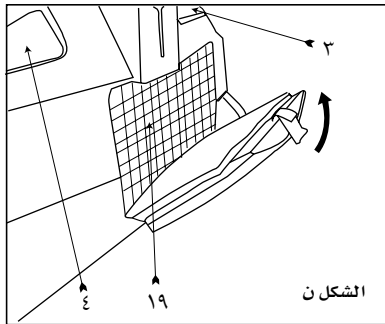
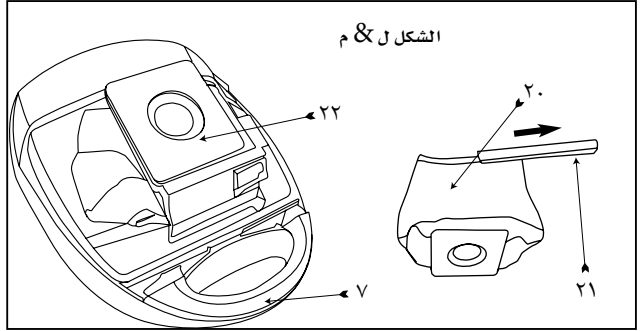
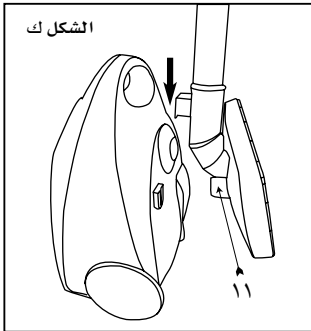
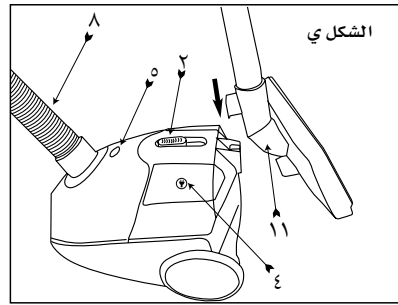
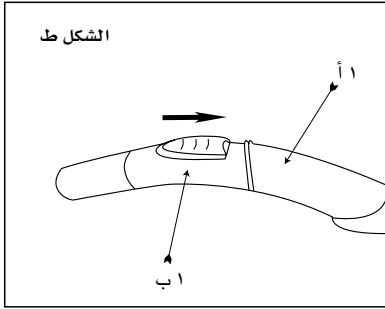


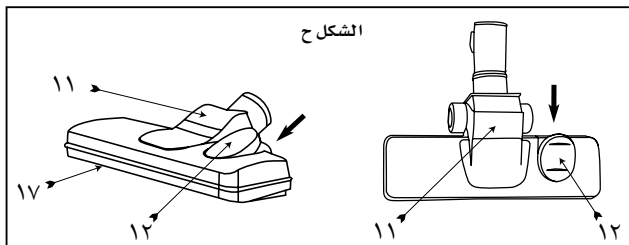
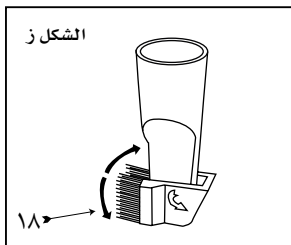
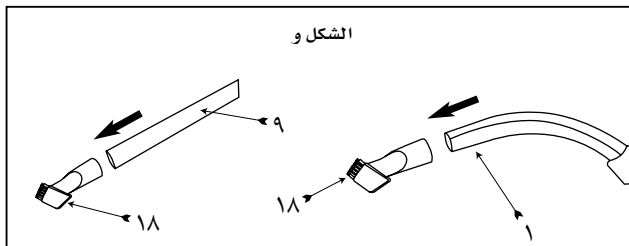
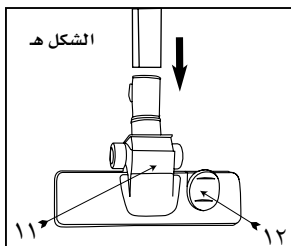
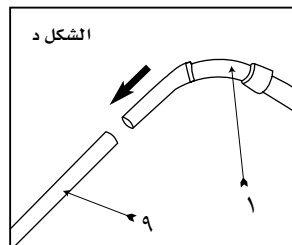
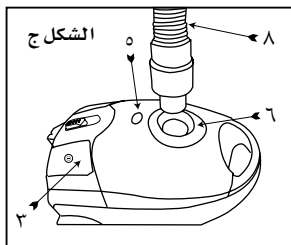
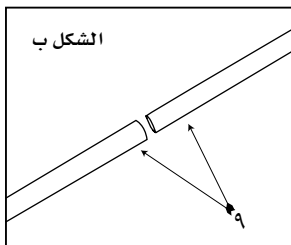
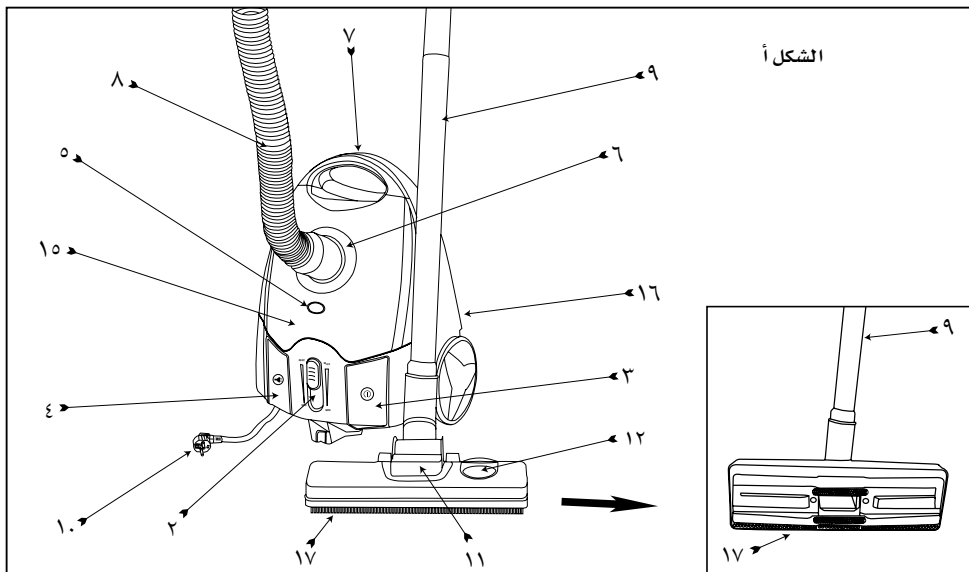
ينبغي قراءة هذا الدليل بعناية قبل استخدام الجهاز.

- الغرض من الاستخدام موضح في هذا الدليل. وإن استخدام أية ملحقات أو وحدات مرفقة أو تنفيذ أية عملية باستخدام هذا الجهاز غير تلك الموصى بها في هذا الدليل قد ينطوي على خطورة التعرض لإصابة شخصية.
- يرجى الاحتفاظ بهذا الدليل للرجوع إليه مستقبلاً.

استخدام الجهاز

- ينبغي التأكد من إيقاف تشغيل الجهاز قبل توصيله بمصدر التيار الكهربائي أو فصله عنه.
- ينبغي دائماً توخي الحذر والحرص عند استخدام الجهاز.
- لا تستخدم الجهاز في أغراض خارج المنزل.
- لا تحاول مطلقاً شد سلك التيار الكهربائي لفصل القابس عن المقبس. احتفظ بسلك التيار الكهربائي بعيداً عن الحرارة والزيت والحواف الحادة.
- في حالة تلف سلك التيار الكهربائي أثناء الاستخدام، ينبغي القيام على الفور بفصل الجهاز عن مصدر التيار الكهربائي. وينبغي تجنب لمس سلك التيار الكهربائي قبل فصله عن مصدر التيار الكهربائي.
- في حالة عدم استخدام الجهاز، افصله عن مصدر التيار الكهربائي، وكذلك قبل القيام بتركيب أو إزالة أية أجزاء وقبل التنظيف.





Names & Addresses for Black & Decker Service Concessionaries

Afghanistan: Ishan National Co., Opp. Ministry of Justice, Kabul. Tel.: +93-2-2101727. **Algeria:** SARL Outillage Corporation, 04 Route De Dely Brahim Cheraga, Alger. Tel.: +213-21-364363/508, Fax: +213-21-369667. **Bahrain:** Fawaz Al Zayani, P.O.Box 26563, Adliya, Manama. Tel.: +973-17-715252/712756, Fax: +973-17-713789. **Bangladesh:** Ultra Corporation, 8, Kushol Centre, Uttara, Dhaka 1230. Tel.: +880-2-8919272/9756 Ext.28, Fax: +880-2-9887167. **Egypt:** Anasia Egypt for Trading S. A. E., P.O.Box 2443, 110 Mostafa Refaat Street, Sheraton Heliopolis 11361, Cairo. Tel.: +20-2-2684159, Fax: +20-2-2684169. **Ethiopia:** Tewfik Sherif & Co. Ltd., P.O.Box 5583, Debre Zeit Road, Addis Ababa. Tel.: +251-1-651700/601, Fax: +251-1-650570. **India:** Gryphon Impex Pvt. Ltd., D-6/4, Okhla Industrial Area, Phase-I, New Delhi-110020. Tel.: +91-11-26372602-4, Fax: +91-11-26372601. **Iran:** Tehran - Service Centre of Iran, No 510, South Karger Ave, Below Pasteur Sq. Tehran. Tel.: +98-21-6490608/0656/6407672. **Kish Island:** Cayhan Electric Co., No. 69, Paradise Shopping Centre, Kish Island. Tel.: +98-76444-22894. **Jordan:** Bashiti Hardware, P.O.Box 1564, TLA Ali, Amman. Tel.: +962-6-5350009/4770741, Fax: +962-6-5350012/4789783. **Kenya:** Zylgo Enterprises, IPS Building, Kuanda Street, P.O.Box 40877, Nairobi. Tel.: +254-2-338188/199, Fax: +254-2-330642. **Kuwait:** Al Omar Technical Co., P.O.Box 4062, 13041 Safat, Kuwait. Tel.: +965-4848595/0039, Fax: +965-4845652. **Lebanon:** Est. F.A. Kettaneh SA, P.O.Box 110242, Dora Highway, Kettaneh Building, Beirut. Tel.: +961-1-255860/6, Fax: +961-1-255891. **Libya:** El Ghoul Brothers, P.O.Box 348, Islamic Call Bldg., Office 201-202, Benghazi. Tel.: +218-61-9097681/4183, Fax: +218-61-9094123. **Madagascar:** Group Tana Confort S. A. R. L., B. P. 1770, Antananarivo. Tel.: +261-20-2264505, Fax: +261-20-2264244. **Malta:** John G. Cassar Ltd., 36 Victory Str, Qormi QRM 06, Malta. Tel.: +356-21-493251, Fax: +356-21-483231. **Mauritius:** Happy World Marketing Ltd., Block 2, Industrial Estate, Coromandel, P.O.Box 429, Port Louis. Tel.: +230-2076700, Fax: +230-2337330/7400. **Nepal:** Universal Trading Centre, P.O.Box 1947, Tripureswor, Kathmandu. Tel.: +977-1-262192/260587/785, Fax: 261154. **Nigeria:** Amin Bros. Eng. Co. Ltd., 30A (Plot 1291), Akin Adesola Street, Victoria Island, Lagos. Tel.: +234-1-3201778, Fax: +234-1-2613667. **Oman:** Oman Mktg. & Service Co., P.O.Box 2734, Ruwi, Muscat. Tel.: +968-560232, Fax: +968-560255. **Pakistan:** Karachi - Ammar Service & Spares, 60, Bank Arcade, Serai Road, Karachi. Tel.: +92-21-2426905, Fax: 2427214/5243. **Pakistan:** Lahore - Electronics Inn, 212-G Raja Centre, Main Market, Gulberg, Lahore. Tel.: +92-42-5756750. **Philippines:** Modern House International Enterprises, 213 Rizal Ave. Extension, between 2nd and 3rd Ave. Kalookan City. Tel.: +632 366-4487, Fax: +632 366-4489. **Qatar:** Al Muffah Trading & Cont., P.O.Box 875, Doha. Tel.: +974-4650880/4446868, Fax: +974-4441415. **Saudi Arabia:** Dammam - Ebrahim Fawaz Al Zayani, P.O.Box 76026, Al Raka, Dammam. Tel.: +966-3-8140914, Fax: +966-3-8140824. **Jeddah:** Anasia Trading Co. Ltd. Caravan Shopping Centre, Hail Street. P. O. Box 50959, Jeddah-21477, Tel. 02 650 0948/02 636 3825, Fax 02 638 0720. **Madina:** Garziz Trdg. for Bldg. Mat.&Decor., P.O.Box 3364, Madina. Tel.: +966-4-8261490/8227636, Fax: +966-4-8265741. **Riyadh:** Anasia Trading Co Ltd. New Akaria Building, 60th St., 3rd Floor, Building # 4, Office # 3402, Malaz. P. O. Box. 18689, Riyadh-11425, Tel.: 01 478 2549, Fax: 01 478 2761. **Yanbu:** Bin Afif, P.O.Box 530 Yanbu, Al Bahr. Tel.: +966-4-3222626/8867, Fax: +966-4-3222210. **Sri Lanka:** Delmege Gen. Equip. Pvt. Ltd., No. 428/1AT. B., Jaya Mawatha (Darley Road), Colombo-10. Tel.: +94-11-2665914, Fax: +94-11-2665915. **Sudan:** United Distribution Company, P.O.Box 325, Sayed Abdul Rehman Street, Khartoum. Tel.: +249-11-772612/777296, Fax: +249-11-770919. **Tanzania:** General Motors Investment, P. O Box 16541, 14 Vingunguti Nyerere Road, Dar Es Salaam. Tel.: +255-22-2862661/5022, Fax: +255-22-2862667/5412/3. **Tunisia:** STE Tunisienne De Quincaillerie Stq., Nvelle Z.I 2013, Ben Arous, Tunis, Tunisia, Tel: +216 71386102, Fax: +216 71380412. **UAE:** Abu Dhabi - Light House Electric., P.O.Box 120, Abu Dhabi. Tel.: +971-2-6726131, Fax: +971-2-6720667. Dubai - Black & Decker (O) A.G., P.O.Box 5420, Dubai. Tel.: +971-4-7028234/233, Fax: +971-4-2822765. Ideal Mach. & Equipt. R. W/shop P.O.Box 37116, Al Quoz, Dubai. Tel.: +971-4-3474160, Fax: +971-4-3474157. Sharjah - McCoy Middle East LLC, P.O.Box 20228, Sharjah. Tel.: +971-6-5336321, Fax: +971-6-5336320. **Uganda:** The Building Centre, Kitgum House, 52 Station Road, P.O.Box 7436, Kampala. Tel.: +256-41-234567, Fax: +256-41-236413. **Yemen:** Aden - Middle East Trad. Co. Ltd., Mulla Dakka, Aden. Tel.: +967-2-240950, Fax: +967-2-240952. **Sana'a:** Middle East Trad. Co. Ltd., P.O.Box 12363, Hayel Street, Sana'a. Tel.: +967-1-204201, Fax: +967-1-204204. **Taiz:** Middle East Trad. Co. Ltd., Campa area near Al-Kair mosque, Taiz. Tel.: +967-4-231610/232033, Fax: +967-4-219869. **Zimbabwe:** J.D.Distributors, P.O.Box 226, 17 Bessemer Road, Graniteside, Harare. Tel.: +263-4-753913-7, Fax: 753918. **Cyprus:** G. Kyprianou Trading Co Ltd., 51 Prodromou AVE. Strovolos, 1681, P.O. Box 23318 Nicosia Cyprus. Tel.: 00357 22 468170/1, Fax: 00357 22 468186, Email gktttd@spidernet.com.cy



WARRANTY REGISTRATION CARD

YOUR NAME/ الإسم

YOUR ADDRESS العنوان

POSTCODE الرمز البريدي

DATE OF PURCHASE تاريخ الشراء

DEALER'S NAME & ADDRESS/ إسم وعنوان البائع

PRODUCT MODEL NO. VM1430

